

# JNFIT INDUSTRIES LIMITED

Add: Jiangyin, Jiangsu Province, Yingkou, Liaoning Province, P.R. China

Website:www.oilgasolution.com Email:sales@oilgasolution.com



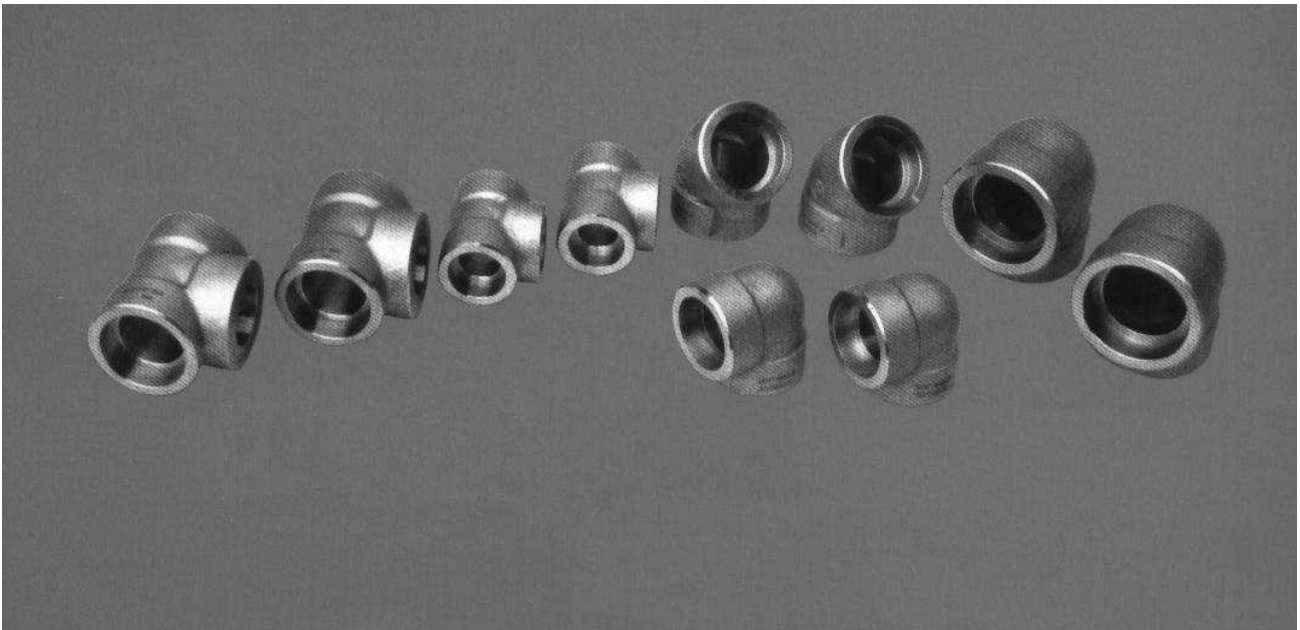
## Contents

<b>FORGED FITTINGS</b>	
	Page
Photos	1
<b>Socket Welding Fittings</b>	
Elbow Tee Cross	2
Cap Coupling Lateral	3
Reducer Inserts MSS-79	4
Unions & Unions HG21634 MSS SP-83	5
<b>Screwed Fittings</b>	
Elbow Tee Cross Elbow GB/T 14626	6
Coupling Coupling Cap GB/T 14626	7
Pulg Bushing GB/T 14626	8
Nipples	9
Threaded Short Pipes	10
90D Elbow (PN=10MPa) JB/ZQ 4419	11
Threaded	12
<b>Weight List</b>	13
	14

## **SOCKET WELDING FITTINGS**



[Back to Contents](#)



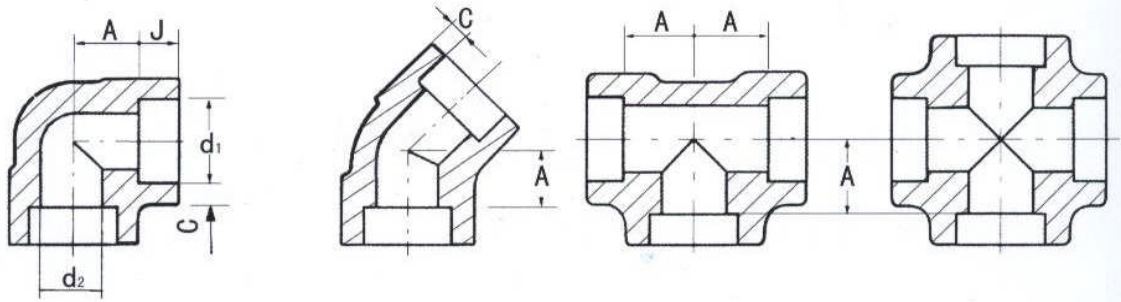
## **THREADED FITTINGS**



# SOCKET WELDING FITTINGS



[Back to Contents](#)



90D Elbow 90

45D Elbow 45

Tee

Cross

Socket Welding Fittings

GB/T14383、HG21634、SH3410、ASME B16.11、JIS B2316

Nominal Pipe Size		Depth of Socket	Wall Thickness			Center to Bottom of Socket					
						A					
			C min			90D Elbows Tee Cross			45D Elbow		
DN	NPS	J min	3000 sch80	6000 sch160	9000 XXS	3000 sch80	6000 sch160	9000 XXS	3000 sch80	6000 sch160	9000 XXS
6	1/8	10	3.2	3.5	...	11	11	...	8	8	...
8	1/4	10	3.3	4.0	...	11	14	...	8	8	...
10	3/8	10	4.0	4.4	...	14	16	...	8	11	...
15	1/2	10	4.5	6.0	9.5	16	19	25	11	13	16
20	3/4	13	5.0	7.0	9.8	19	22	28	13	14	19
25	1	13	5.6	8.0	11.4	22	27	32	14	18	21
32	1 1/4	13	6.3	8.0	12.0	27	32	35	18	21	22
40	1 1/2	13	6.4	9.0	12.7	32	38	38	21	25	25
50	2	16	7.0	11.0	14.0	38	41	54	25	29	28
65	2 1/2	16	8.9	12.5	...	41	57	...	29	32	...
80	3	16	10.0	13.8	...	57	64	...	32	35	...
100	4	19	10.0	...	...	67	...	...	41	...	...

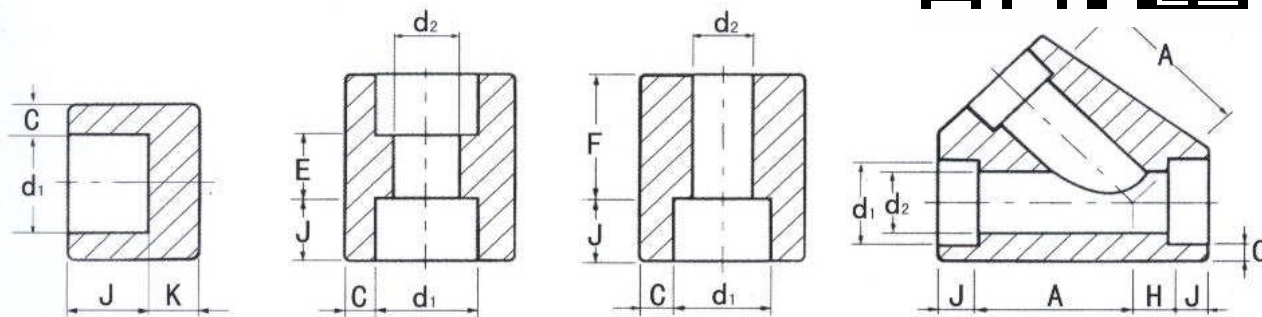
\* The above list shows sizes of the same parts of SW fittings. The sizes of different standard pipes, socket diameter d1 & bore diameter dz refer to the list of the pipe outside diameter, socket diameter & bore diameter of SW fittings.

\* As to the reducing fittings, size of the bore diameter d2 applies to the relevant size d2 of the reducing nominal pipe size, size of center to the end of socket A is same to the straight fittings.

# SOCKET WELDING FITTINGS



[Back to Contents](#)



Cap

Coupling

Half-Coupling

Lateral 45D

## Socket Welding Fittings

GB/T14383、HG21634、SH3410、ASME B16.11、JIS B2316

Nominal Pipe Size		Depth of Socket	Wall Thickness			Endwall Thickness			Laying Length		Center to Bottom of Socket			
			C			K			Couplings	Half-Couplings Boss	Lateral			
DN	NPS	J min	min			min							A	
			3000 sch80	6000 sch160	9000 XXS	3000 sch80	6000 sch160	9000 XXS	E	F	3000 sch80	6000 sch160	3000 sch80	6000 sch160
6	1/8	10	3.2	3.5	...	5.0	6.5	...	6.4	16	...	...	...	...
8	1/4	10	3.3	4.0	...	5.0	6.5	...	6.4	16	32	...	8	...
10	3/8	10	4.0	4.4	...	5.0	6.5	...	6.4	1	37	...	8(10)	...
15	1/2	10	4.5	6.0	9.5	6.5	8.0	11.0	10(13)	2(24)	41	51	(10)	13(11)
20	3/4	13	5.0	7.0	10.0	7.0	9.0	12.5	10(13)	24(25)	51	60	13(11)	14(13)
25	1	13	5.6	8.0	11.5	9.5	11.0	14.0	13(17)	29(31)	60	71	14(13)	18(16)
32	1 1/4	13	6.3	8.0	12.0	10.0	12.0	14.0	13(17)	30(32)	71	81	18(16)	21(17)
40	1 1/2	13	6.4	9.0	13.0	10.5	13.5	16.0	13(17)	32(34)	81	98	21(17)	25(21)
50	2	16	7.0	11.0	14.0	12.5	16.5	19.0	19(23)	41(43)	98	120(152)	25(21)	29(32)
65	2 1/2	16	8.9	12.5	...	16.0	19.5	...	19(24)	43(45)	(151)	...	(30)	...
80	3	16	10.0	13.8	...	19.0	23.0	...	19(24)	45(47)	(184)	...	(57)	...
100	4	19	10	...	...	22.0	28.5	...	19	48	...	...	...	...

\* Coupling may be processed into concentric or eccentricity.

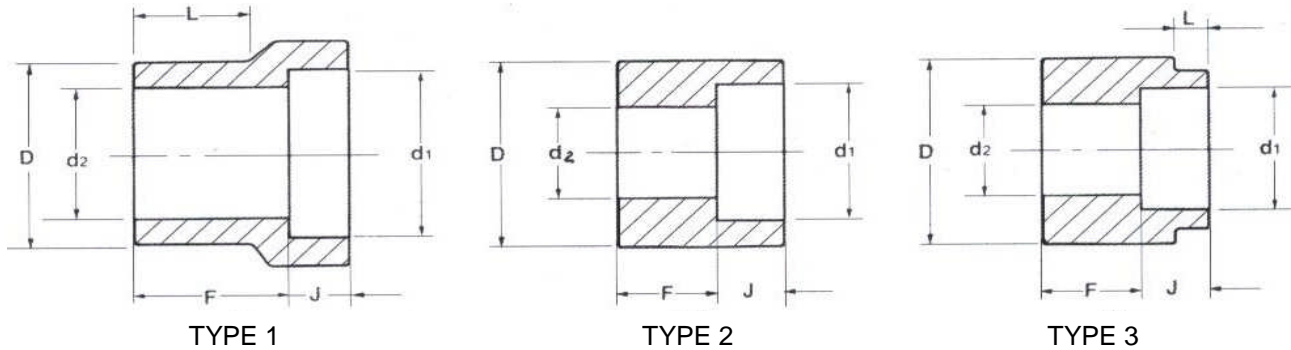
\* Fittings can also be processed into the combination models of socket & threading.

\* The values of the bracket means the sizes of straight fittings defined in the standard of SH3410, and the relevant sizes of the reducing fittings refer to the standards of production.

# SOCKET WELDING REDUCER INSERTS



[Back to Contents](#)



## Socket Welding Reducer Inserts MSS-79

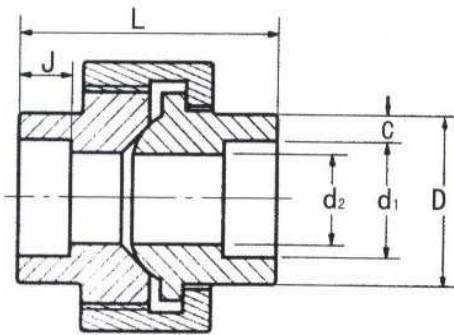
NPS DN(in)	Type	3000			
		D	d <sub>2</sub>	F	L
1/2X3/8	1	21.6	11	24	20
1/2X1/4	2	21.6	7.5	15.5	...
1/2X1/8	3	21.6	5.5	15.5	7
3/4X1/2	1	26.9	14	27	22
3/4X3/8	2	26.9	11	15.5	...
3/4X1/4	3	26.9	7.5	15.5	7
3/4X1/8	3	26.9	5.5	15.5	7
1X3/4	1	33.6	19	28.5	23
1X1/2	2	33.6	14	24	...
1X3/8	3	33.6	11	23	7
1X1/4	3	33.6	7.5	24	7
1 1/4X1	1	42.4	24.5	31.5	24.5
1 1/4X3/4	2	42.4	19	22	...
1 1/4X1/2	3	42.4	14	24.5	7
1 1/2X1 1/4	1	48.5	32.5	33.5	27
1 1/2X1	2	48.5	24.5	33.5	...
1 1/2X3/4	3	48.5	19	22	8
1 1/2X1/2	3	48.5	14	26	7
2X1 1/2	2	60.9	38	27	...
2X1 1/4	3	60.9	32.5	25.5	8
2X1	3	60.9	24.5	25.5	8
2X3/4	3	60.9	19	25.5	8
2X1/2	3	60.9	14	29.5	7
2 1/2X2	1	73.6	49	41.5	30
2 1/2X1 1/2	3	73.6	38	27.5	8
2 1/2X1 1/4	3	73.6	32.5	29.5	8
2 1/2X1	3	73.6	24.5	29.5	8
3X2 1/2	1	89.6	59	46	33.5
3X2	3	89.6	49	41.5	10
3X1 1/2	3	89.6	38	42	8
3X1 1/4	3	89.6	32.5	42.5	8
3X1	3	89.6	24.5	39	8

NPS DN(in)	Type	6000			
		D	d <sub>2</sub>	F	L
1/2X3/8	1	21.6	11	30	21
3/4X1/2	1	26.9	12	33.5	23
3/4X3/8	2	26.9	11	25.5	...
1X3/4	1	33.6	15.5	42	26
1X1/2	1	33.6	12	40	24
1X3/8	3	33.6	11	28.5	7
1 1/4X1	1	42.4	20.5	43	28
1 1/4X3/4	1	42.4	15.5	43	28
1 1/4X1/2	2	42.4	12	32	...
1 1/4X3/8	3	42.4	11	32.5	7
1 1/2X1 1/4	1	48.5	29.5	51	32
1 1/2X3/4	1	48.5	20.5	49	28
1 1/2X1/2	2	48.5	15.5	35	...
1 1/2X3/8	3	48.5	12	39	7
2X1 1/2	1	60.9	34	46	34
2X1 1/4	1	60.9	29.5	47.5	34
2X1	3	60.9	20.5	36	8
2X3/4	3	60.9	15.5	36	8
2X1/2	3	60.9	12	39	7
2 1/2X2	1	73.6	43	54	36
2 1/2X1 1/2	2	73.6	34	47.5	...
2 1/2X1 1/4	3	73.6	29.5	42	8
2 1/2X1	3	73.6	20.5	44	8
2 1/2X3/4	3	73.6	15.5	44	8
2 1/2X1/2	3	73.6	12	46.5	7
3X2 1/2	1	89.6	54	63.5	38
3X2	2	89.6	43	54	...
3X1 1/2	3	89.6	34	47.5	8
3X1 1/4	3	89.6	29.5	49.6	8
3X1	3	89.6	20.5	48.5	8

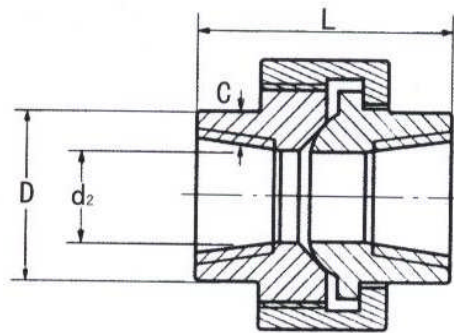
# UNIONS OF SOCKET-WELDING & THREADED



[Back to Contents](#)



Socket Union



Threaded Union

## Socket Unions & Unions HG21634 MSS SP-83

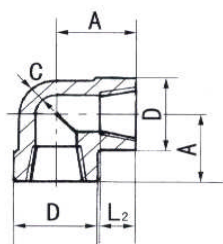
Nominal Pipe Size		Outside Diameter		Wall		Socket Bore	Water Way	Depth of Socket	Length Assem Normal
DN		D <sub>min</sub>		C <sub>min</sub>		d <sub>1</sub>	d <sub>2</sub>	J <sub>min</sub>	L
DN	NPS	Socket	Threaded	Socket	Socket & Threaded	Socket	Socket & Threaded	Socket	Socket & Threaded
6	1/8	21.8	14.7	3.2	2.5	10.65	6.43	10	41.4
8	1/4	21.8	19.0	3.3	3.1	14.10	9.45	10	41.4
10	3/8	25.9	22.9	3.5	3.2	17.55	13.51	10	46.0
15	1/2	31.2	27.7	4.1	3.8	21.70	17.07	10	49.0
20	3/4	37.1	33.5	4.3	4.0	27.05	21.39	13	56.9
25	1	45.5	41.4	5.0	4.6	33.80	27.74	13	62.0
32	1 1/4	54.9	50.5	5.3	4.9	42.55	35.36	13	71.1
40	1 1/2	61.5	57.2	5.6	5.1	48.65	41.20	13	76.5
50	2	75.2	70.1	6.1	5.6	61.10	52.12	16	86.1
65	2 1/2	91.7	85.3	7.7	7.1	73.80	64.31	16	102.4
80	3	109.2	102.4	8.4	7.7	89.80	77.27	16	109.0

如顾客选用其它外径的管子,订货时须注明管子标准或外径

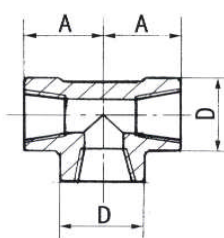
# THREADED FITTINGS



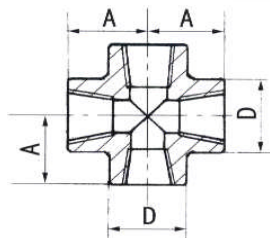
[Back to Contents](#)



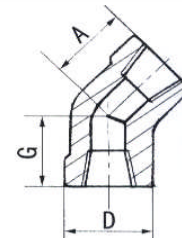
90D Elbow



Tee



Cross



45D Elbow

## 90D Elbow Tee Cross 45D Elbow GB/T 14626

Normal Pipe Size		A Center to End						Outside Diameter			Wall Thickness			Length of Thread	
		Elbows Tee Crosses			45° Elbow										
DN	NPS	Sch80	Sch160	XXS	Sch80	Sch160	XXS	Sch80	Sch160	XXS	Sch80	Sch160	XXS	60°TH	55°TH
8	1/4	21	25	29	17	19	22	22	25	33	3.0	3.5	6.5	10.0	9.7
10	3/8	25	29	33	19	22	25	25	33	38	3.0	3.5	7.0	10.5	10.1
15	1/2	29	33	38	22	25	29	33	38	46	3.0	4.0	8.0	13.5	13.2
20	3/4	33	38	44	25	29	33	38	46	56	3.0	4.5	8.5	14.0	14.5
25	1	38	44	51	29	33	35	46	56	62	3.5	5.0	10.0	17.5	16.8
32	1 1/4	44	51	60	33	35	43	56	62	75	4.0	5.5	10.5	18.0	19.1
40	1 1/2	51	60	64	35	43	44	62	75	84	4.0	5.5	11.0	18.5	19.1
50	2	60	64	83	43	45	52	75	84	102	4.5	7.0	12.0	19.0	23.4
65	2 1/2	76	83	95	52	52	64	92	102	121	5.5	7.5	15.5	29.0	26.7
80	3	86	95	106	64	64	79	110	121	146	6.0	9.0	16.5	30.5	29.8
100	4	106	114	114	79	79	79	146	152	152	6.5	11.0	18.5	33.0	35.8

## 90D Elbow Tee Cross 45D Elbow ASME B16.11

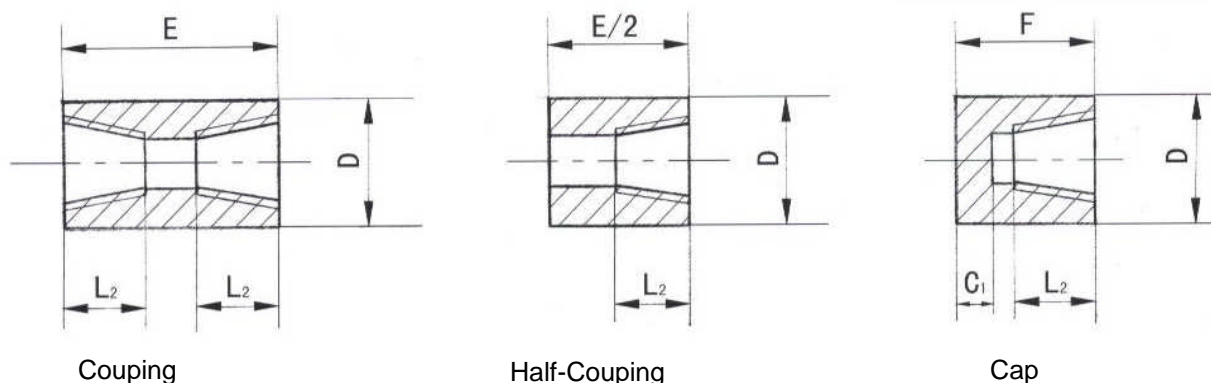
Normal Pipe Size		A Center to End						Outside Diameter			Wall Thickness			Length of Thread
		Elbows Tee Crosses			45° Elbow									
DN	IN	2000LB	3000LB	6000LB	2000LB	3000LB	6000LB	2000LB	3000LB	6000LB	2000LB	3000LB	6000LB	L <sub>2</sub> (min)
6	1/8	21	21	25	17	17	19	22	22	25	3.0	3.0	6.5	6.5
8	1/4	21	25	29	17	19	22	22	25	33	3.0	3.5	6.5	10.0
10	3/8	25	29	33	19	22	25	25	33	38	3.0	3.5	7.0	10.5
15	1/2	29	33	38	22	25	29	33	38	46	3.0	4.0	8.0	13.5
20	3/4	33	38	44	25	29	33	38	46	56	3.0	4.5	8.5	14.0
25	1	38	44	51	29	33	35	46	56	62	3.5	5.0	10.0	17.5
32	1 1/4	44	51	60	33	35	43	56	62	75	4.0	5.5	10.5	18.0
40	1 1/2	51	60	64	35	43	44	62	75	84	4.0	5.5	11.0	18.5
50	2	60	64	83	43	45	52	75	84	102	4.5	7.0	12.0	19.0
65	2 1/2	76	83	95	52	52	64	92	102	121	5.5	7.5	15.5	29.0
80	3	86	95	106	64	64	79	110	121	146	6.0	9.0	16.5	30.5
100	4	106	114	114	79	79	79	146	152	152	6.5	11.0	18.5	33.0



# THREADED FITTINGS



[Back to Contents](#)



## Coupling Half-Coupling Cap GB/T 14626

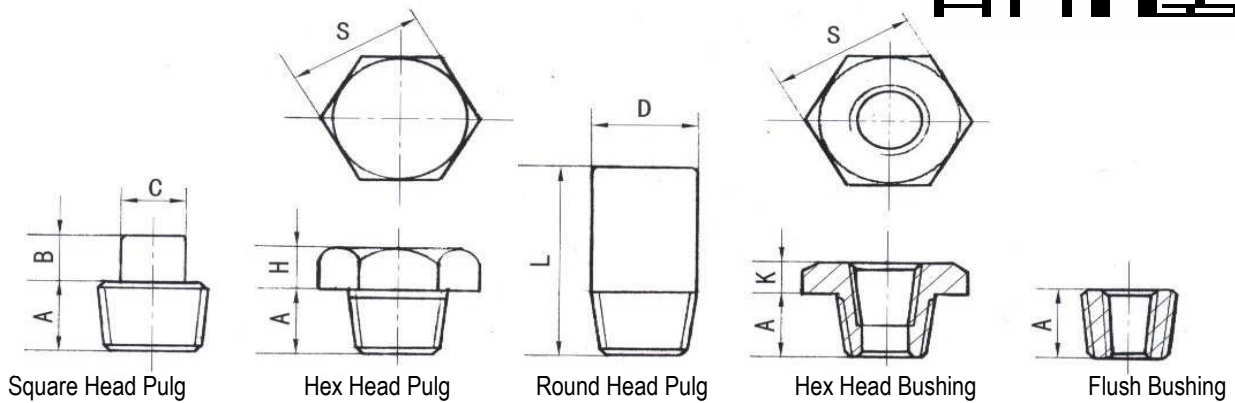
Normal Pipe Size DN		E Coupling	F Cap		D		C <sub>2</sub> (min)		L <sub>2</sub> (min)	
A	B(in)	Sch160和XXS	Sch160	XXS	Sch160	XXS	Sch160	XXS	60° TH	55° TH
8	1/4	35	25	27	19	25	5.0	6.5	10.0	9.7
10	3/8	38	25	27	22	32	5.0	6.5	10.5	10.1
15	1/2	48	32	33	29	38	6.5	8.0	13.5	13.2
20	3/4	51	37	38	35	44	6.5	8.0	14.0	14.5
25	1	60	41	43	44	57	9.5	11.0	17.5	16.8
32	1 1/4	67	44	46	57	64	9.5	11.0	18.0	19.1
40	1 1/2	79	44	48	64	76	11.0	12.5	18.5	19.1
50	2	86	48	51	76	92	12.5	16.0	19.0	23.4
65	2 1/2	92	60	64	92	108	16.0	19.0	29.0	26.7
80	3	108	65	68	108	127	19.0	22.0	30.5	29.8
100	4	121	68	75	140	159	22.0	28.5	33.0	35.8

## Coupling Half-Coupling Cap ASME B16.11

Normal Pipe Size	E Coupling	F Cap		D		C <sub>2</sub> (min)		L <sub>2</sub> (min)
	3000LB、6000LB	3000LB	6000LB	3000LB	6000LB	3000LB	6000LB	
1/8	32	19		16	22	5.0		6.5
1/4	35	25	27	19	25	5.0	6.5	10.0
3/8	38	25	27	22	32	5.0	6.5	10.5
1/2	48	32	33	29	38	6.5	8.0	13.5
3/4	51	37	38	35	44	6.5	8.0	14.0
1	60	41	43	44	57	9.5	11.0	17.5
1 1/4	67	44	46	57	64	9.5	11.0	18.0
1 1/2	79	44	48	64	76	11.0	12.5	18.5
2	86	48	51	76	92	12.5	16.0	19.0
2 1/2	92	60	64	92	108	16.0	19.0	29.0
3	108	65	68	108	127	19.0	22.0	30.5
4	121	68	75	140	159	22.0	28.5	33.0



[Back to Contents](#)



### Plug Bushing GB/T 14626

Normal	Pipe Size	A	Square Head Plugs		Round Head Plugs		Hex Head Plug Flush Bushing		
			DN	NPS	B(min)	C(min)	D	L(min)	S
	8	11.0	6	9.5	13	41	16.0	3	6
	10	12.5	8	11.0	17	41	17.5	4	8
	15	14.5	10	14.5	21	44	22.0	5	8
	20	16.0	11	16.0	27	44	27.0	6	10
	25	19.0	13	20.5	33	51	35.0	6	10
	32	20.5	14	24.0	43	51	44.5	7	14
	40	20.5	16	28.5	48	51	51.0	8	16
	50	22.0	17	33.5	60	64	63.5	9	17
	65	27.0	19	38.0	73	70	76.0	10	19
	80	28.5	21	43.0	89	70	89.0	10	21
	100	32.0	25	63.5	114	76	117.5	13	25

### Plug Bushing ASME B16.11

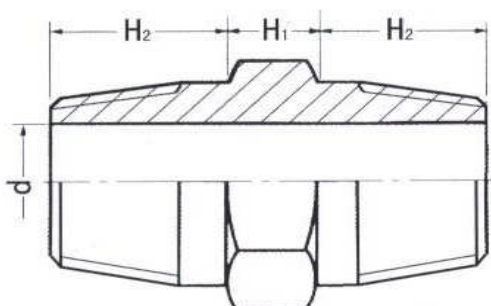
Normal	Pipe Size	Length of Thread	Square Head Plugs		Round Head Plugs		Hex Head Plug		
			Height of Square	Width of Flats	Diameter of Round Head	End to End	Width of Flats		Hex Height
NPS	A	B	C	D	L(min)	S	K	H	
1/8	9.5	6	7.0	10	35	11.0		6	
1/4	11.0	6	9.5	13	41	16.0	3	6	
3/8	12.5	8	11.0	17	41	17.5	4	8	
1/2	14.5	10	14.5	21	44	22.0	5	8	
3/4	16.0	11	16.0	27	44	27.0	6	10	
1	19.0	13	20.5	33	51	35.0	6	10	
1 1/4	20.5	14	24.0	43	51	44.5	7	14	
1 1/2	20.5	16	28.5	48	51	51.0	8	16	
2	22.0	17	33.5	60	64	63.5	9	17	
2 1/2	27.0	19	38.0	73	70	76.0	10	19	
3	28.5	21	43.0	89	70	89.0	10	21	
4	32.0	25	63.5	114	76	117.5	13	25	

\* The standards and codes of the threaded fittings is conical threaded NPT angle 60 of ANSI/ASME B1.20.1 (GB/T 12716). And if requiring other types of thread, please indicate in the purchase order.

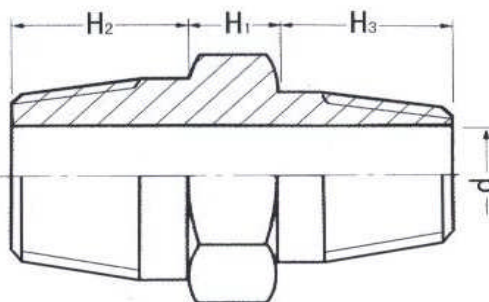
# THREADED FITTINGS



[Back to Contents](#)



Straight Hexagonal Nipple



Reducing Hexagonal Nipple

## Nipples 六角头双丝头

Nominal Pipe Size		Size			
DN	NPS	d	H <sub>1</sub>	H <sub>2</sub>	H <sub>3</sub>
6	1/8	4.1	6	10	...
8	1/4	7.1	8	14	...
10	3/8	8.9	8	14	...
10X8	3/8X1/4	7.1	8	14	14
15	1/2	11.9	9	19	...
15X10	1/2X3/8	8.9	9	19	14
15X8	1/2X1/4	7.1	9	19	14
20	3/4	16.0	10	19	...
20X15	3/4X1/2	11.9	10	19	19
20X10	3/4X3/8	8.9	10	19	14
20X8	3/4X1/4	7.1	10	19	14
25	1	20.1	11	24	...
25X20	1X3/4	16.0	11	24	19
25X15	1X1/2	11.9	11	24	19
25X10	1X3/8	8.9	11	24	14
32	1 1/4	27.9	12	24	...
32X25	1 1/4X1	20.1	12	24	24
32X20	1 1/4X3/4	16.0	12	24	19

Nominal Pipe Size		Size			
DN	NPS	d	H <sub>1</sub>	H <sub>2</sub>	H <sub>3</sub>
32X15	1 1/4X1/2	11.9	12	24	19
40	1 1/2	32.0	14	25	...
40X32	1 1/2 X1 1/4	27.9	14	25	24
40X25	1 1/2X1	20.1	14	25	24
40X20	1 1/2X3/4	16.0	14	25	19
50	2	39.9	16	26	...
50X40	2X1 1/2	32.0	16	26	25
50X32	2X1 1/4	27.9	16	26	24
50X25	2X1	20.1	16	26	24
65	2 1/2	55.1	18	38	...
65X50	2 1/2X2	39.9	18	38	26
65X40	2 1/2X1 1/2	32.0	18	38	25
65X32	2 1/2X1 1/4	27.9	18	38	24
80	3	65.0	20	40	...
80X65	3X2 1/2	55.1	20	40	38
80X50	3X2	39.9	20	40	26
80X40	3X1 1/2	32.0	20	40	25

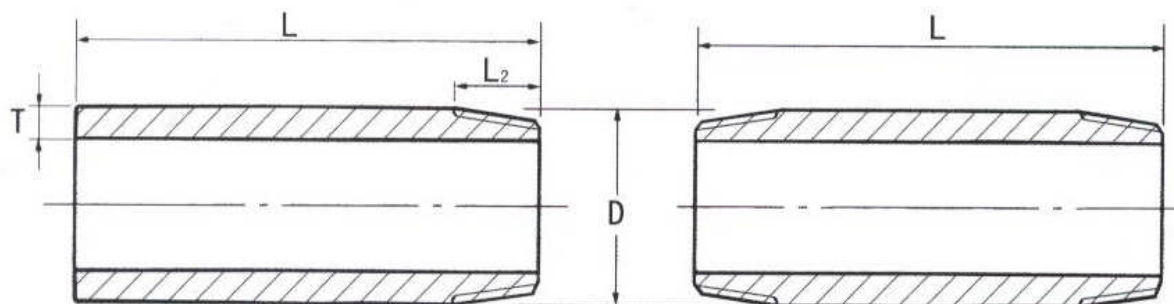
\* The standards and codes of the threaded fittings is conical threaded NPT angle 60 of ANSI/ASME B1.20.1 (GB/T12716).

\* If requiring other types of thread, please indicate in the purchase order.

# THREADED FITTINGS



[Back to Contents](#)



Nipple ( POE/TOE )

Nipple ( TBE )

## Nipple 螺纹短节

Nominal Pipe Size		Outside Diameter	Length of Thread	End to End	Wall Thickness
DN	NPS	D	L <sub>2</sub>	L	T
6	1/8	10.3	9.5	60、75、90、 100、120、150 、180	sch80、sch160、 or 2000、3000
8	1/4	13.7	11.0		
10	3/8	17.1	12.5		
15	1/2	21.3	14.5		
20	3/4	26.7	16.0		
25	1	33.4	19.0		
32	1 1/4	42.2	20.5		
40	1 1/2	48.3	20.5		
50	2	60.3	22.0		
65	2 1/2	73.0	27.0		
80	3	88.9	28.5		
100	4	114.3	32.0		

\* Length according to customer's request.

\* The standards & codes of the fittings is conical threaded NPT angle60 of ANSI/ASME B1.20.1 (GB/T12716)  
And if requiring other types of thread, please indicate in the purchase order.

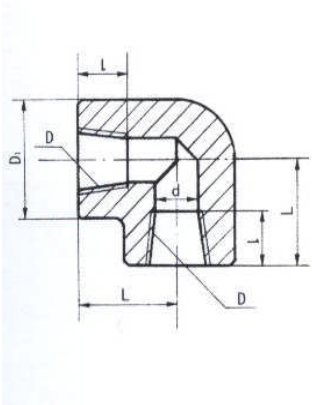
## Tolerances for Nipple & Threaded Short Pipe

Normal Pipe Size	Hexagonal Nipple			Nipple	
DN	NPS	d	H <sub>1</sub>	H <sub>2</sub> H <sub>3</sub>	L
6-8	1/8-1/4	+0 -0.8	± 1.0	± 1.5	± 1.5
10-20	3/8-3/4	+0 -0.8	± 1.0	± 1.5	± 1.5
25-50	1-2	+0 -1.5	± 1.0	± 2.0	± 2.0
65-100	2 1/2-4	+0 -2.5	± 1.0	± 2.0	± 2.0

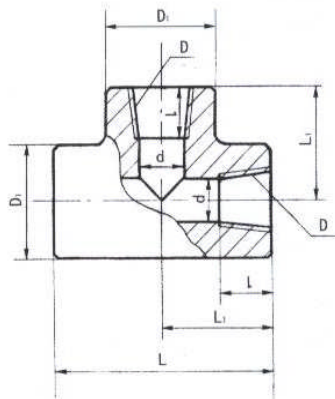
# THREADED FITTINGS



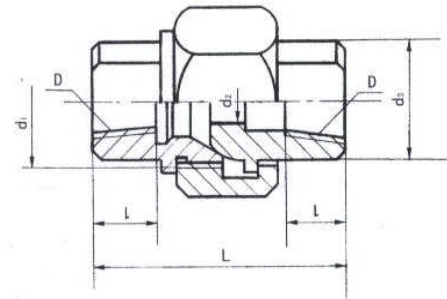
[Back to Contents](#)



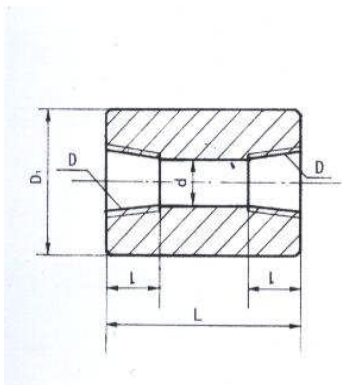
90°Elbow



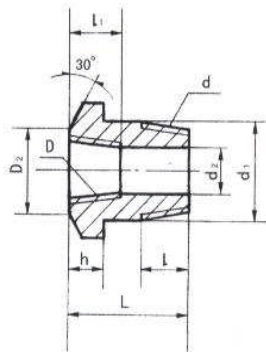
Tee



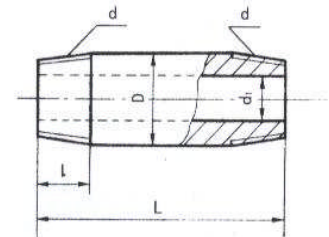
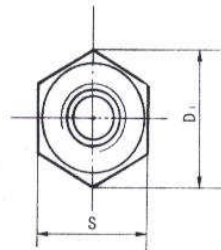
Threaded Union



Coupling



Hex Head Bushing



Threaded Short Pipe

## 90D Elbow (PN=10MPa) JB/ZQ 4419

Normal Pipe Size DN	centrum pipe thread D	d	L	l	D1	Weight (kg)
8	RC1/4	11	20	11	22	0.05
10	RC3/8	14.5	24	12	22	0.09
15	RC1/2	18	30	15	30	0.20
20	RC3/4	23	34	17	34	0.32
25	RC1	30	42	19	42	0.54
40	RC1 1/2	44	55	23	56	1.24
50	RC2	56	65	26	68	1.51

## Tee (PN=10MPa) JB/ZQ 4421

Normal Pipe Size DN	centrum pipe thread D	d	D1	L	L	l	Weight (kg)
8	RC1/4	11	22	40	20	11	0.08
10	RC3/8	15	22	48	24	12	0.11
15	RC1/2	18	30	60	30	15	0.21
20	RC3/4	23	34	68	34	17	0.29
25	RC1	30	42	84	42	19	0.57
40	RC1 1/2	44	56	110	55	23	0.98
50	RC2	56	68	130	65	26	2.34

# THREADED FITTINGS



[Back to Contents](#)

## Threaded Union (PN=10MPa) JB/ZQ 4416

Normal Pipe Size DN	Centrum Pipe Thread D	d <sub>1</sub>	d <sub>2</sub>	d <sub>3</sub>	l	L	Weight (kg)
8	RC1/4	M24X1.5	8	19	11	50	0.11
10	RC3/8	M27X1.5	12	22	12	53	0.15
15	RC1/2	M33X2	15	27	15	55	0.24
20	RC3/4	M42X2	20	35	17	56	0.35
25	RC1	M52X2	25	42	19	68	0.76
40	RC11/2	M68X2	38	57	23	76	1.08
50	RC2	M85X3	50	72	26	78	1.88

## Coupling (PN=10MPa) JB/ZQ 4423

Normal Pipe Size DN	Centrum Pipe Thread D	d	D <sub>1</sub>	L	l	Weight (kg)
8	RC1/4	11	22	30	11	0.04
10	RC3/8	15	22	35	12	0.06
15	RC1/2	18	30	45	15	0.18
20	RC3/4	23	34	50	17	0.18
25	RC1	30	42	55	19	0.27
40	RC11/2	44	56	65	23	0.49
50	RC2	56	68	70	26	0.56

## Hex Head Bushing (PN=10MPa) JB/ZQ 442

Normal Pipe Size DN	Centrum Pipe Thread D		d <sub>1</sub>	d <sub>2</sub>	L	L	L <sub>1</sub>	Weight (kg)
	d	D						
10x8	R3/8	RC1/4	17.3	11	22	12	11	0.03
15x8	R1/2	RC1/4	21.8	11	30	15	11	0.08
15x10	R1/2	RC3/8	21.8	14.5	30	15	12	0.07
20x10	R3/4	RC3/8	27.2	14.5	30	17	12	0.12
20x15	R3/4	RC1/2	27.2	18	30	17	15	0.10
25x8	R1	RC1/4	34.3	11	38	19	11	0.26
25x10	R1	RC3/8	34.3	14.5	38	19	12	0.24
25x20	R1	RC3/4	34.3	23	38	19	17	0.16
40x10	R1 1/2	RC3/8	48.8	14.5	40	23	12	0.60
40x20	R1 1/2	RC3/4	48.8	23	40	23	17	0.50
40x25	R1 1/2	RC1	48.8	30	40	23	19	0.40
50x10	R2	RC3/8	60.5	14.5	42	26	12	1.00
50x20	R2	RC3/4	60.5	23	42	26	17	0.90
50x25	R2	RC1	60.5	30	42	26	19	0.80
50x40	R2	R1 1/2	60.5	44	42	26	23	0.53

## Threaded Shore Pipe(PN=10MPa) JB/ZQ 4426

Normal Pipe Size DN	Centrum Pipe	d <sub>1</sub>	L	L	D	Weight (kg)
	d					
8	R1/4	8	32	11	14	0.03
8	R1/4	8	40	11	14	0.03
8	R1/4	8	70	11	14	0.06
10	R3/8	12	36	12	18	0.04
10	R3/8	12	42	12	18	0.04
10	R3/8	12	50	12	18	0.05
10	R3/8	12	75	12	18	0.08
15	R1/2	15	45	15	22	0.07
15	R1/2	15	60	15	22	0.09
20	R3/4	20	52	17	28	0.12
20	R3/4	20	65	17	28	0.15
25	R1	26	62	19	35	0.20
25	R1	26	75	19	35	0.25
40	R1 1/2	40	68	23	48	0.36
40	R1 1/2	40	80	23	48	0.45
50	R2	50	74	26	60	0.55
50	R2	50	90	26	60	0.70